



Barnet Side

PROPOSED GATEWAY FEATURE SEE INSETS 'A' & 'B' 1M GATE

PROPOSED DRAGONS TEETH MARKINGS 60m IN LENGTH

2m WIDE GATE WITH NEW SIGN S1

EXISTING 'REDUCE SPEED NOW' SIGNS

Quin Hay Farmhouse

Barnet Side House

Drive House

EXISTING 'REDUCE SPEED NOW' SIGNS

PROPOSED GATEWAY FEATURE SEE INSETS 'A' & 'B' 2m WIDE GATE WITH SIGN S1

PROPOSED DRAGONS TEETH MARKINGS 60m IN LENGTH

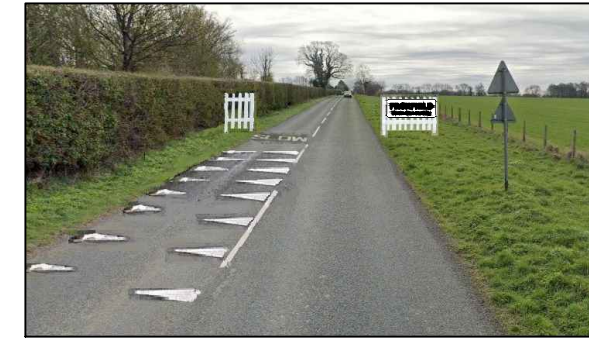
NOTE DO NOT SCALE FROM THIS DRAWING

FROXFIELD

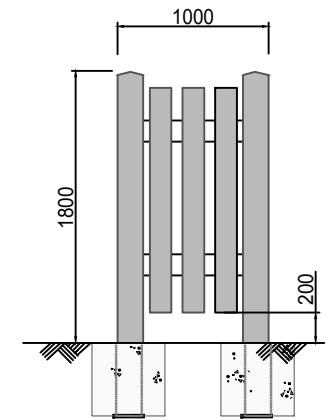
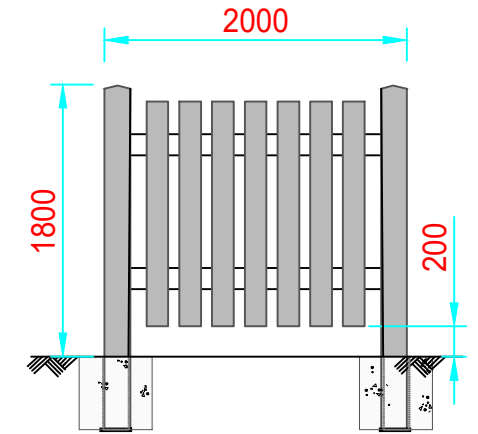
Please drive carefully

Scheme Ref. Froxfield	
Sign Ref. S1	x-height 50 /100
Letter colour BLACK	SIGN FACE
Background WHITE	Width 1265 mm
Border BLACK	Height 445 mm
Material Class RA2 (12899-1:2007)	Area 0.56 m ²

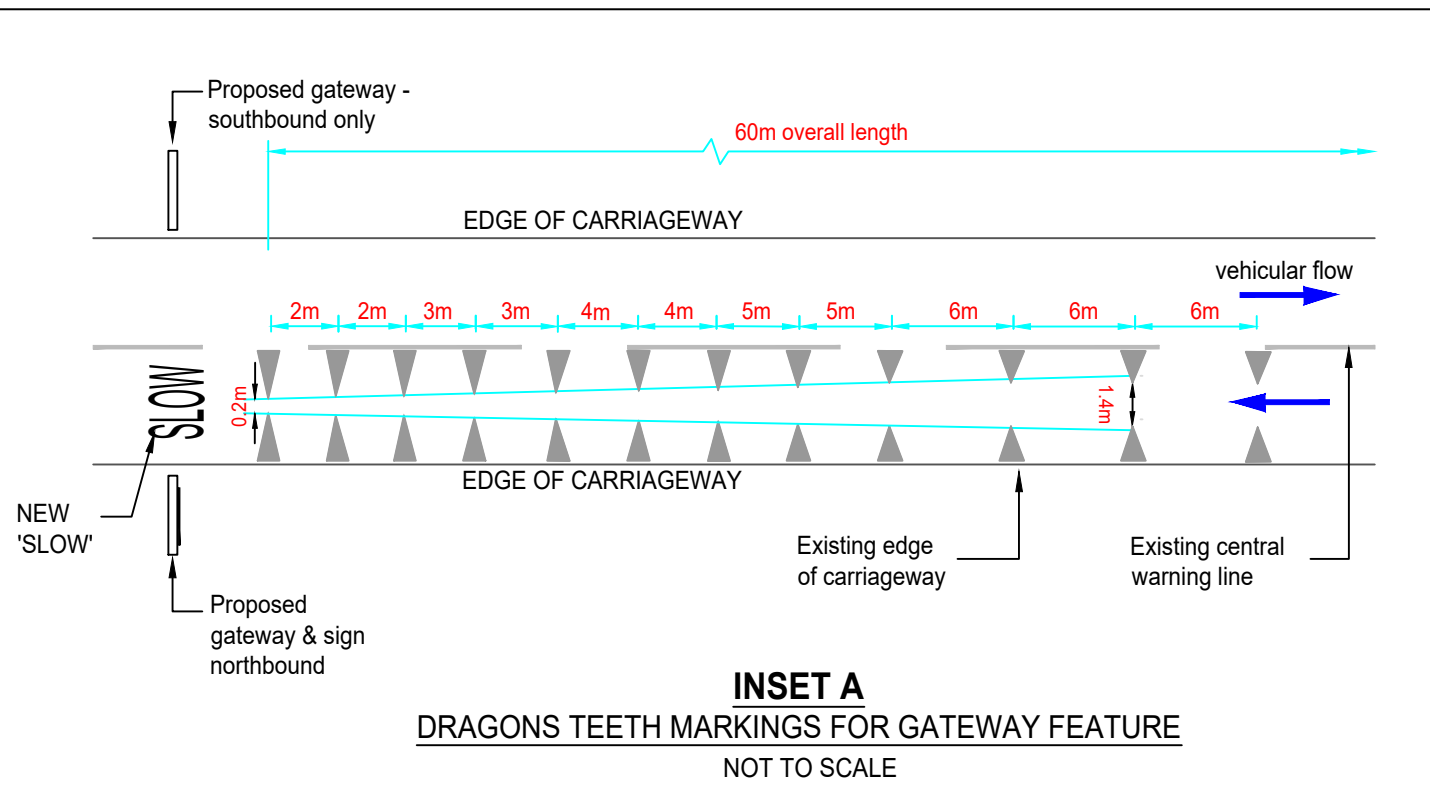
INSET B



GATEWAY VISUALISATION (for southbound traffic)



GATEWAY FENCING DETAILS (INSETS A & B)



© CROWN COPYRIGHT AND DATABASE RIGHTS 2023 ALL RIGHTS RESERVED. HCC 100019180



DESIGNER
AM

CAD
LH

CHECKED
AM

APPROVED

SCHEME
CFI FROXFIELD

JOB No.

SCALE @ A3
NTS

DATE
JUNE 2023

SHEET NUMBER
1 OF 1

DRAWING TITLE
C18 PROPOSALS NEAR FROXFIELD

HCC CAD PLOT: 17/8/2023 13:08:27

DRAWING NUMBER
TM/AM/002

REV