

FROXFIELD

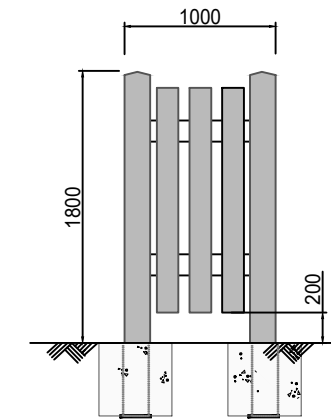
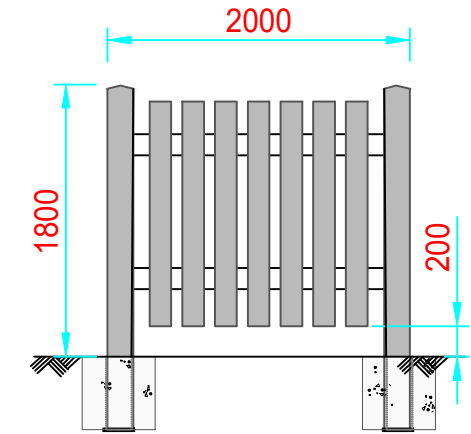
Please drive carefully

Scheme Ref. Froxfield	
Sign Ref. S1	x-height 50 /100
Letter colour BLACK	SIGN FACE
Background WHITE	Width 1525 mm
Border BLACK	Height 445 mm
Material Class RA2 (12899-1:2007)	Area 0.68 m ²

INSET B



GATEWAY VISUALISATION
(for southbound traffic)



FENCE DETAILS

EXISTING 'REDUCE SPEED NOW' SIGNS

Quin Hay Farmhouse

Barnet Side House

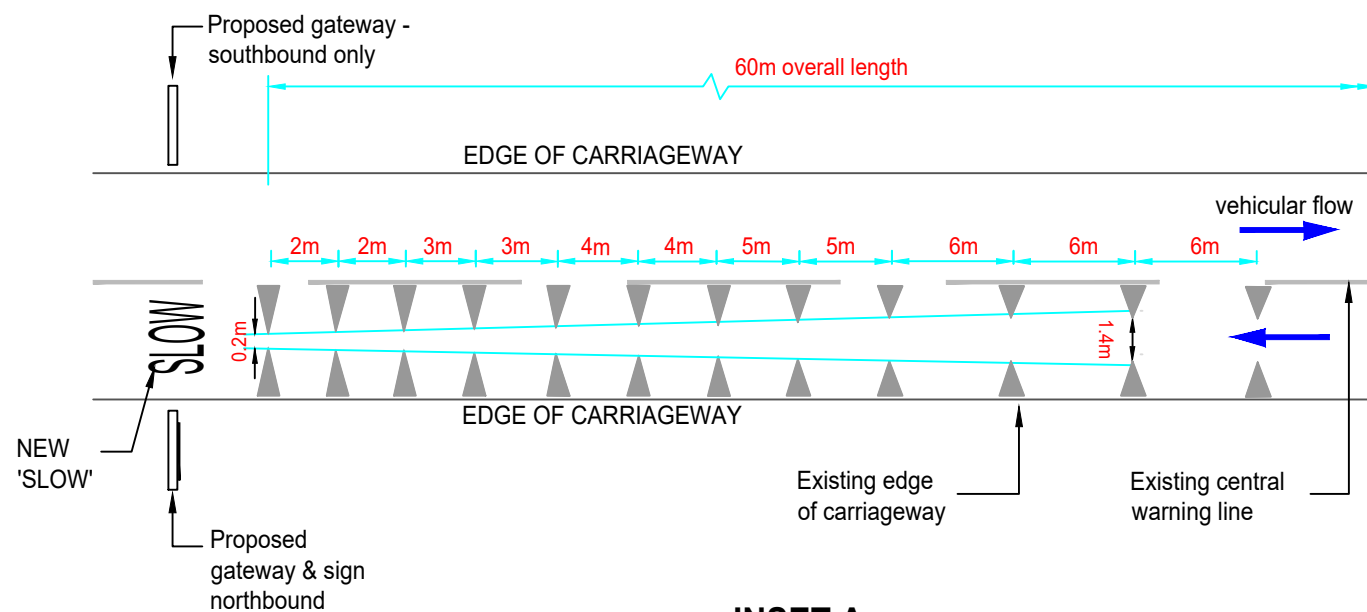
Drive House

EXISTING 'REDUCE SPEED NOW' SIGNS

PROPOSED GATEWAY FEATURE
SEE INSETS 'A' & 'B'
2m WIDE GATE WITH SIGN S1

PROPOSED DRAGONS
TEETH 60m

NOTE
DO NOT SCALE FROM THIS DRAWING



INSET A
DRAGONS TEETH MARKINGS FOR GATEWAY FEATURE
NOT TO SCALE

© CROWN COPYRIGHT AND DATABASE RIGHTS 2023
ALL RIGHTS RESERVED. HCC 100019180



DESIGNER
AM
CAD
LH
CHECKED
AM
APPROVED

SCHEME
CFI FROXFIELD
JOB No.
SCALE @ A3
NTS
DATE
JUNE 2023
SHEET NUMBER
1 OF 1

DRAWING TITLE
C18 PROPOSALS NEAR FROXFIELD
HCC CAD PLOT: 01/08/2023 14:38:28
DRAWING NUMBER
TM/AM/002
REV